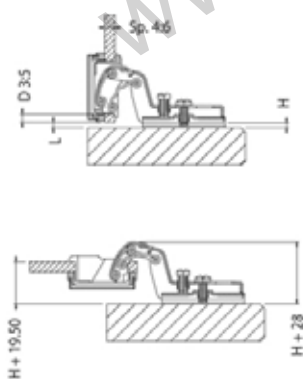


660 2F C14 self closing hinge glass door - ø 26 mm

Steel, crank (C) Tall.



DIPLO ANTA (D)		DISTANCE IN THE DOOR (D)		
		3	4	5
SPESORE BASETTA (H)	THICKNESS OF MOUNTING PLATE (H)	2	2	1
	3			0
	4			
	5			
	6			
	7			
	8			
	9			
	H = -3 + D + L			